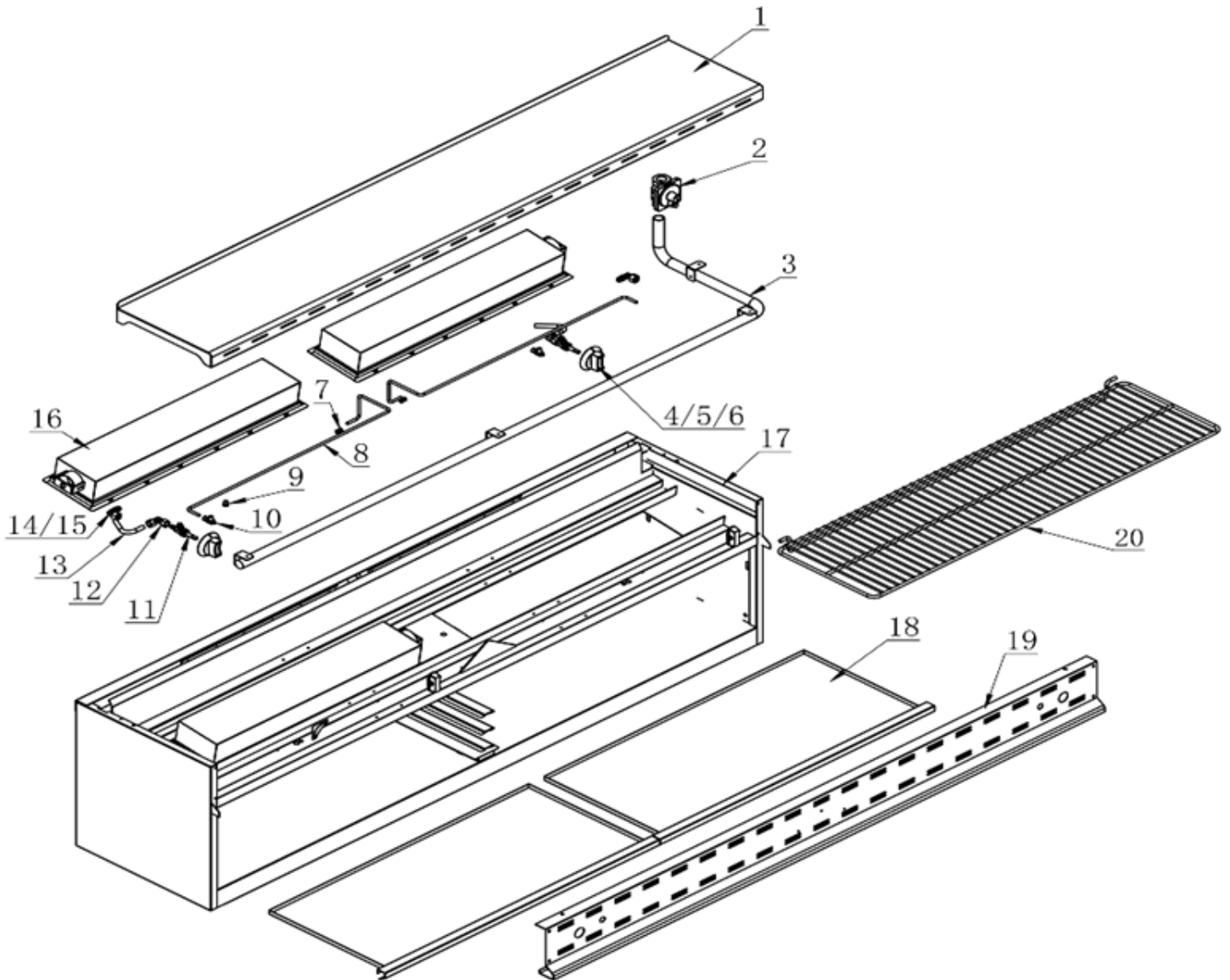


Parts Breakdown

Model FW-CN-0036 44412



Parts Breakdown

Model FW-CN-0036 44412

Item No.	Description	Position	Item No.	Description	Position	Item No.	Description	Position
AC329	Top Cover for 44412	1	AC317	Tapping Screw for 44412	9	AC323	Nozzle for 44412	15
AC313	Pressure Regulator for 44412	2	AC318	Pilot Valve for 44412	10	AC335	30,000 BTU Burner for 44412	16
AC330	Gas Venturi Pipe for 44412	3	AC319	Control Valve for 44412	11	AC336	Housing for 44412	17
AC315	Knob Assembly for 44412	4 - 6	AC332	Adaptor for 44412	12	AC337	Oil Collector for 44412	18
66208	Pilot for 44412	7	AC333	Flexi Pipe for 44412	13	AC338	Front Panel for 44412	19
AC331	Pilot Pipe for 44412	8	AC334	Nozzle Connector for 44412	14	AC339	Wiring Grid for 44412	20